



Front Bumper LED Light Bar Installation Instructions

Covers Part #8088

Note: Installation of the LED lighting module (part #8028, sold separately) is required to provide power to the LED light bar.

Kit Contents:

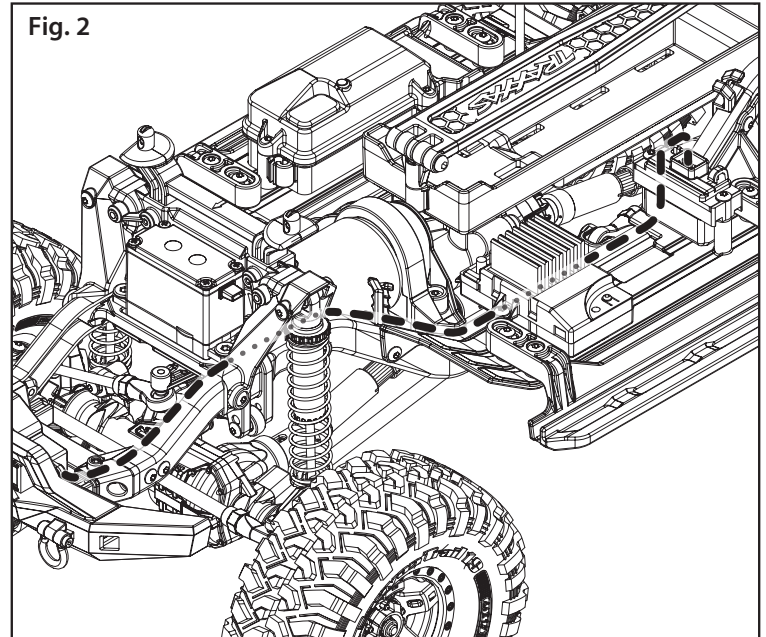
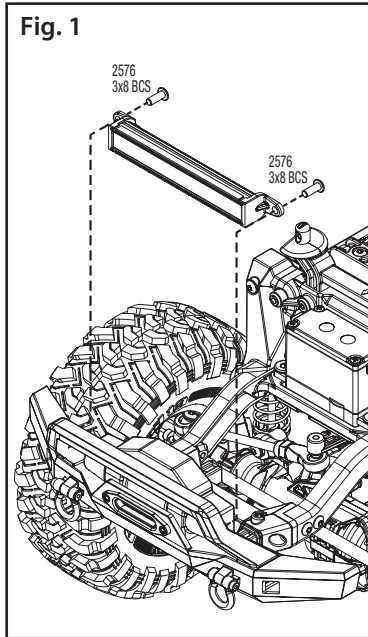
- Front bumper LED light bar
- 3x8 BCS (2)

Tools required:

- 2mm hex wrench

Installation:

1. Install the LED light bar on the front bumper with the included 3x8 BCS (2) (Fig. 1).
2. Route the wire harnesses along the left chassis rail, through the wire clip, under the electronic speed control (ESC), and to the LED lighting module as shown (Fig. 2). **Note: Ensure the wire harnesses are kept away from any moving parts and heated surfaces.**
3. Plug the black LED harness connector (blue and black wires) into the LED lighting module.
4. Plug the other black connector (black wire only) into the LED lighting module for **high beam mode**; leave unplugged for **low beam mode**.



TRAXXAS.COM

Traxxas, 6250 Traxxas Way, McKinney, TX 75070, Phone: 972-549-3000, Fax: 972-549-3011, e-mail: support@Traxxas.com

HKC18076-R02 Rev 190724